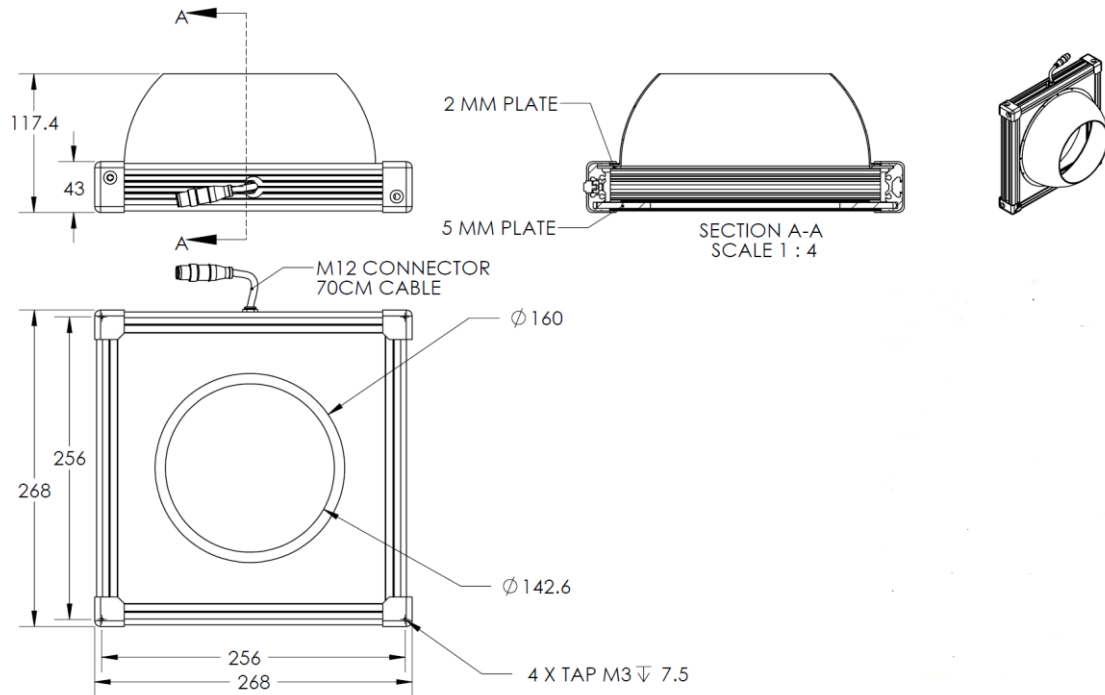


## HDLR-00-200-X-B-24V

### Lighting Dimension



| Mechanical Information                |                              |
|---------------------------------------|------------------------------|
| Casing Material                       | Aluminium                    |
| Storage & Operating Temperature Range | Temp 0-60°C, Humidity 20-85% |
| Weight                                | 2070 g                       |
| Outer Dimension                       | 268 x 268 mm                 |
| Inner Diameter                        | 142.6 mm                     |
| Thickness                             | 117.4 mm                     |



## HDLR-00-200-X-B-24V

| Optical Information   |        |   |           |              |
|---|--------|---|-----------|--------------|
| Part Number   |        | HDLR-00-200-X-B-24V   |           |              |
| LED Colour  |        | BLUE  |           |              |
| Wavelength  | (nm)   | 470   |           |              |
| Intensity ( ±15%)   | (Lux)  | 1927  | 1716 1516 |              |
| Working Distance  | (mm)   | 87  | 97 107    |              |
| Illumination (number of rows)                                       |        | 1   |           |              |
| Illumination Active Area  |        |   |           |              |
| Active Outer Diameter   | (mm)   | 160   |           |              |
| Active Inner Diameter   | (mm)   | 142.6   |           |              |
| Emission Angle  | (deg.) | 0   |           |              |
| Eye Safety Class ( IEC62471)  |        | II  |           |              |
| Electrical Information  |        |   |           |              |
| Lighting Supply Voltage (constant voltage mode)                     |        | 24V ± 2%  |           |              |
| Continuous Current  | (mA)   | 728   |           |              |
| Power Consumption   | (W)    | 17.47   |           |              |
| Lighting Casing Temperature, Operating after 60 minutes             | °C     | 40.7  |           |              |
| Strobe Mode Specification   |        |   |           |              |
| Pulse Operation   |        | YES   |           |              |
| Max. Lighting Supply Voltage (constant voltage power supply)        | (V)    | Pulsing at 24VDC to 48VDC, 0-10% Duty Cycle<br>Recommended at 36VDC |           |              |
| Pulse Current, (Max. 10 msec) (constant current power supply)       | (mA)   | 2184  |           |              |
| Max. Trigger Pulse Duration   | (msec) | 10  |           |              |
| Duty Cycle  |        | 0-10%   |           |              |
| Additional Information  |        |   |           |              |
| Additional Cooling Method   |        | Attached to machine part for better heat dissipation                |           |              |
| Lifespan in Continuous Mode   |        | 20,000 hours (drop to 50% intensity) at 25°C                        |           |              |
| Lifespan in Strobe Mode   |        | Est. >50,000 hours (drop to 50% intensity) at 25°C                  |           |              |
| Intensity Controller Selection                                      |        | SD/SDA-Series   |           |              |
| CE Conformity   |        | YES   |           |              |
| RoHS Compliance   |        | YES   |           |              |
| Connection  |        |   |           |              |
| Connector Type (default)  |        | M12 5 PIN CONNECTOR (MALE)  |           |              |
| Cable Length (out from lighting)                                    | ( mm ) | 700   |           |              |
| Pin Configuration   |        | Pin   | Signal    | Cable Colour |
|   |        | 1   | 24V       | BROWN        |
|   |        | 2   | -         | WHITE        |
|   |        | 3   | GND       | BLUE         |
|   |        | 4   | -         | BLACK        |
|   |        | 5   | -         | GRAY         |
|   |        |   |           |              |
| Extension Cable   |        |   |           |              |
| Connector Type (default)  |        | M12 5 PIN CONNECTOR (FEMALE)  |           |              |
| Part Number   |        | EXT-FL-M12F-3M-24V  |           |              |
| Cable Length (out from female connector)                            | (mm)   | 3000  |           |              |
| Extension Cable (connect to M12 5 Pin Male Connector from lighting) |        |   |           |              |
| Application   |        |   |           |              |
| Illumination Type   |        | Angular Dark Field Illumination                                     |           |              |
| Application Use   |        | Inspecting flat, reflective surfaces                                |           |              |

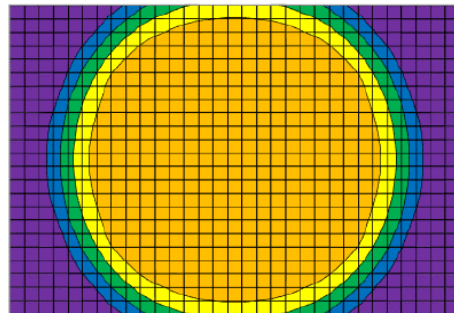
# HDLR-00-200-X-B-24V

| Advantages           |                                       |                                       |  |
|----------------------|---------------------------------------|---------------------------------------|--|
| Flexible Illuminator | <p>Full Dome Cover</p>                |                                       | <p>Half Dome Cover</p>                       |
| Easy Mounting        | <p>Join Bracket<br/>(Angle Mount)</p> | <p>L Bracket<br/>(Vertical Mount)</p> | <p>L-shaped Plate<br/>(Horizontal Mount)</p> |

## Uniformity Graph (Relative Irradiation Strength) - Representative Pattern

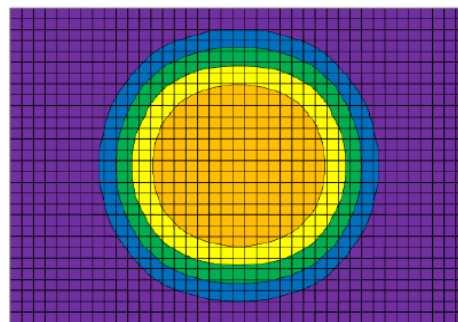
LENS FOCAL LENGTH, F = 8 mm  
 CWD = 200 mm  
 LWD = 50 mm

| COLOUR | TOLERANCE | L X W     |
|--------|-----------|-----------|
| Orange | ± 10 %    | 105 X 110 |
| Yellow | ± 15 %    | 115 X 120 |
| Green  | ± 20 %    | 125 X 120 |
| Blue   | ± 25 %    | 135 X 120 |
| Purple | ± 30 %    | 160 X 120 |



CWD = 250 mm  
 LWD = 100 mm

| COLOUR | TOLERANCE | L X W     |
|--------|-----------|-----------|
| Orange | ± 10 %    | 80 X 80   |
| Yellow | ± 15 %    | 95 X 95   |
| Green  | ± 20 %    | 110 X 112 |
| Blue   | ± 25 %    | 125 X 130 |
| Purple | ± 30 %    | 200 X 150 |



\* Each individual box is 5 X 5 mm.

\*Disclaimer : The graphs portrayed are for reference only and does not in any way guarantee the quality of this product.